

spica



TBS Integration

Touchless Biometric Systems (TBS) is Swiss biometrics specialist with unique 3D fingerprint technology and superior design. Time&Space offers support for TBS time clocks and readers since version 10.

TIME&SPACE

Highlights:



2D series: premium quality contact fingerprint sensors



3D series: superior performance contactless sensor



Large colour touchscreen personalizable display



Optional RFID card reader



In and outdoor use



Vandal resistant

Touchless 3D sensor is the unique solution for users with hygienic concerns

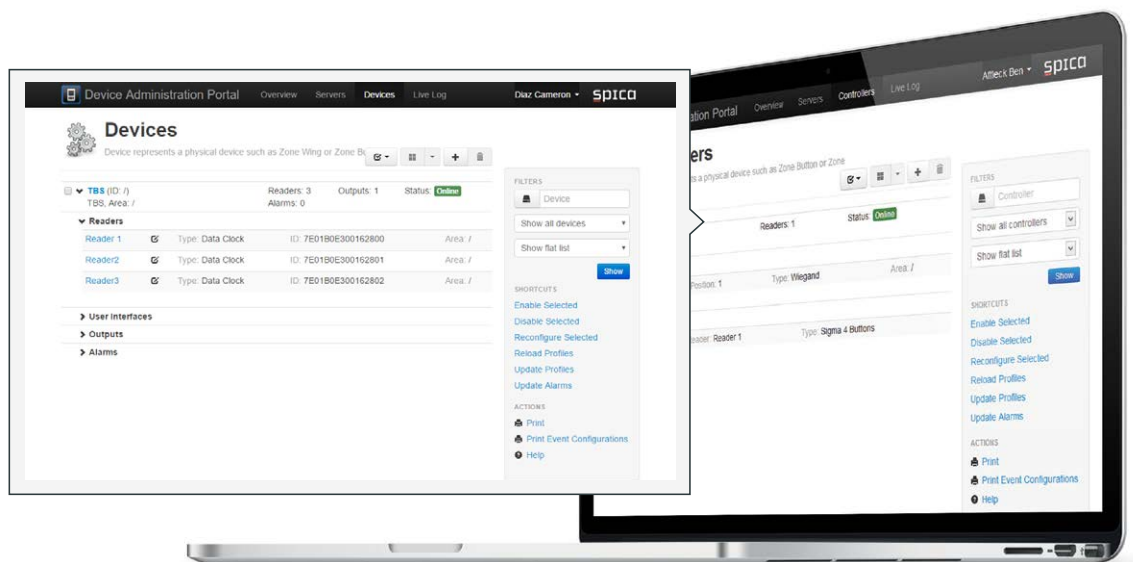
Time Recording

Device Administration Portal (DAP) module is used for device configuration and data collection setup, where TBS time recording features are matched to corresponding Time&Space features.

The following functions are supported:

- Interface: up to 8 TA buttons
- Verification Modes: Finger, PIN, Badge, Finger + PIN, Badge + Finger, Badge + Finger + PIN
- VIP Users: Bypass PIN and Fingerprint verification

In online mode, clockings are confirmed with feedback information (user name and balance of hours).

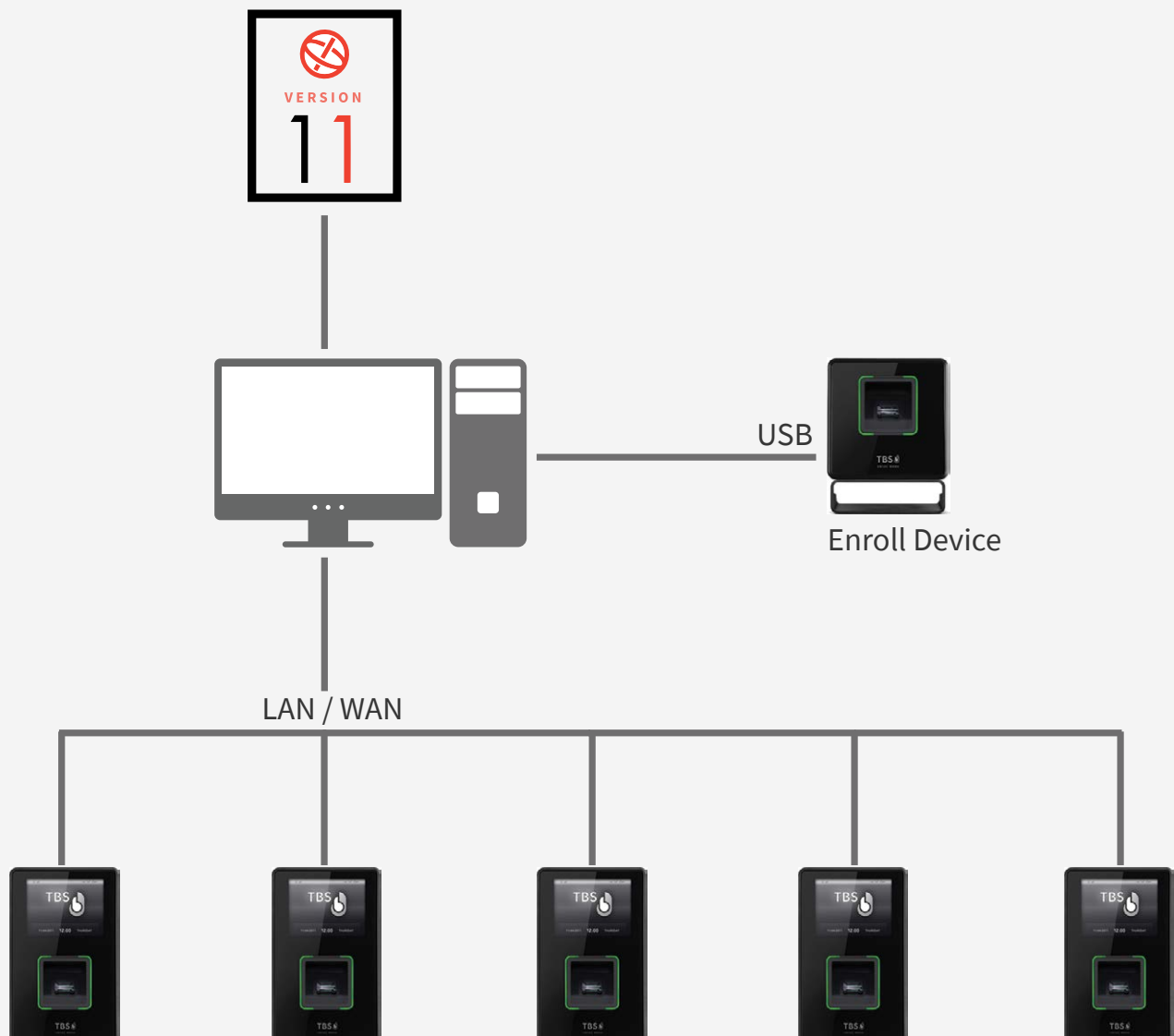


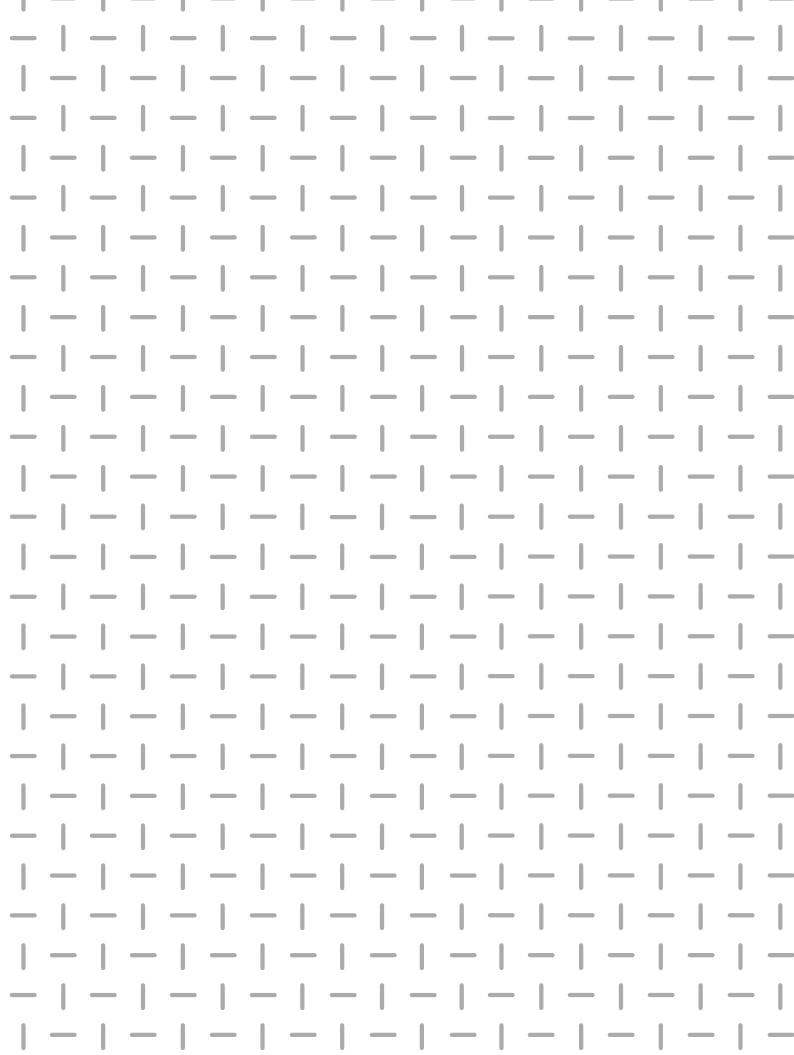
Integration Method

The integration is done on the system level through TBS Inside integration mechanism. Time&Space (DAP) is communicating through TBS API, not with the device directly.

Online and Offline operation mode

- Online mode - Successful clocking will be confirmed by showing the user's name and the balance of hours
- Offline mode - The clocking is accepted, no balance is shown to the user
- Switching between online and offline mode is automatic
- Fingerprint template management is done within TBS system





TIME  SPACE



pica